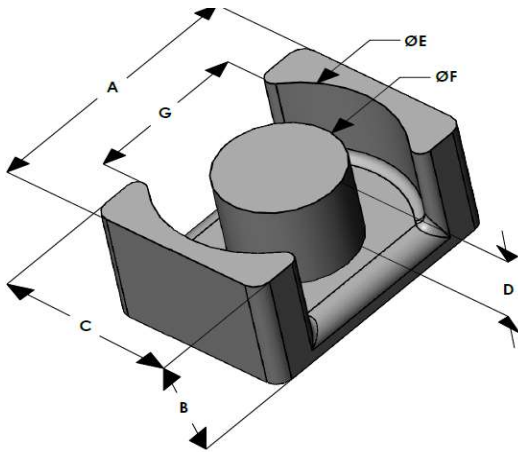




EQH2014E040L050

110 Delta Drive
 Pittsburgh, PA 15238
 NAFTA Sales: (1)800-245-3984
 HK Sales : (852)3102-9337
 magnetics@spang.com
 www.mag-inc.com



| High Flux Permeability (μ) | A_L (nH/T ²) | Core Marking | |
|----------------------------------|----------------------------|--------------|-----------------|
| | | Lot Number | Part Number |
| 40 | 120 ± 8% | XXXXXX | EQH2014E040L050 |

| | Dimensions | | Tolerance (±) | | | Packaging |
|----------|------------|-------|---------------|-------|-----|--------------------|
| | (mm) | (in) | (mm) | (in) | | |
| A | 20.00 | 0.787 | 0.30 | 0.012 | | Box Qty= 1596 Pcs |
| B | 5.00 | 0.197 | 0.20 | 0.008 | | |
| C | 14.00 | 0.551 | 0.20 | 0.008 | | |
| D | 2.60 | 0.102 | 0.20 | 0.008 | | Available Hardware |
| E | 18.00 | 0.708 | 0.20 | 0.008 | | |
| F | 8.80 | 0.346 | 0.20 | 0.008 | | |
| G | 13.00 | 0.512 | - | - | Min | |

| Electrical Characteristics | | | Physical Characteristics | | | | | |
|--|------------------------|-----|--------------------------|--------------------------------------|--|------------------------|---------------------------------|-----------------------------|
| Watt Loss @ 100 kHz, 100mT max (mW/cm ³) | DC Bias min (oersteds) | | Break Strength typ (kg) | Window Area W_a (mm ²) | Cross Section A_e (mm ²) | Path Length L_e (mm) | Volume V_e (mm ³) | Est. Weight (Ea. Piece) (g) |
| | 80% | 50% | | | | | | |
| 850 | 120 | 190 | 34 | 23.9 | 60.8 | 29.3 | 1,780 | TBD |

Note: Standard AL is controlled with full window high turns test coils. Application coils with few turns often result in lower inductance than expected, or sometimes higher.

| Notes: | Temperature Rating |
|--------|--------------------|
| | Curie Temp: 500 °C |

Typical DC Bias Performance

