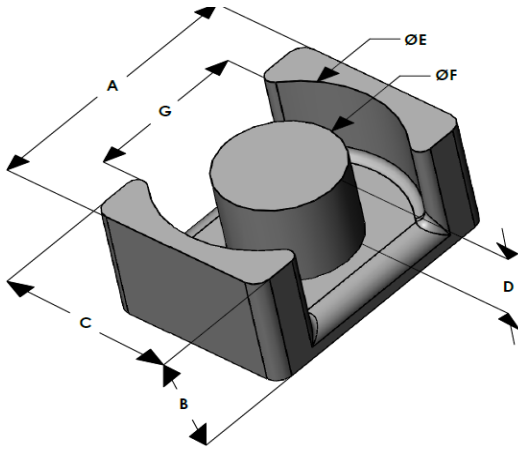




EQG4128E040L120

110 Delta Drive
 Pittsburgh, PA 15238
 NAFTA Sales: (1)800-245-3984
 HK Sales : (852)3102-9337
 magnetics@spang.com
 www.mag-inc.com



| Edge Permeability (μ) | A_L (nH/T ²) | Core Marking | |
|-----------------------------|----------------------------|--------------|-----------------|
| | | Lot Number | Part Number |
| 40 | 138 ± 8% | XXXXXX | EQG4128E040L120 |

| | Dimensions | | Tolerance (±) | | Packaging | |
|----------|------------|-------|---------------|-------|-----------------------|---------------------------|
| | (mm) | (in) | (mm) | (in) | | |
| A | 41.50 | 1.633 | 0.40 | 0.016 | Est. Box Qty= 140 Pcs | |
| B | 12.00 | 0.472 | 0.20 | 0.008 | | |
| C | 28.00 | 1.102 | 0.30 | 0.012 | | |
| D | 7.50 | 0.295 | - | - | Nom | Available Hardware |
| E | 36.50 | 1.436 | 0.30 | 0.012 | | |
| F | 14.90 | 0.586 | 0.20 | 0.008 | | |
| G | 26.60 | 1.047 | 0.30 | 0.012 | | |

| Electrical Characteristics | | Physical Characteristics | | | | | | |
|--|------------------------|--------------------------|-------------------------|--------------------------------------|--|------------------------|---------------------------------|-----------------------------|
| Watt Loss @ 100 kHz, 100mT max (mW/cm ³) | DC Bias min (oersteds) | | Break Strength typ (kg) | Window Area W_a (mm ²) | Cross Section A_e (mm ²) | Path Length L_e (mm) | Volume V_e (mm ³) | Est. Weight (Ea. Piece) (g) |
| | 80% | 50% | | | | | | |
| 550 | 140 | 215 | 45 | 162 | 200 | 83.6 | 16,700 | TBD |

Note: Standard AL is controlled with full window high turns test coils. Application coils with few turns often result in lower inductance than expected, or sometimes higher.

| Notes: | Temperature Rating |
|--------|--------------------|
| | Curie Temp: 500 °C |

