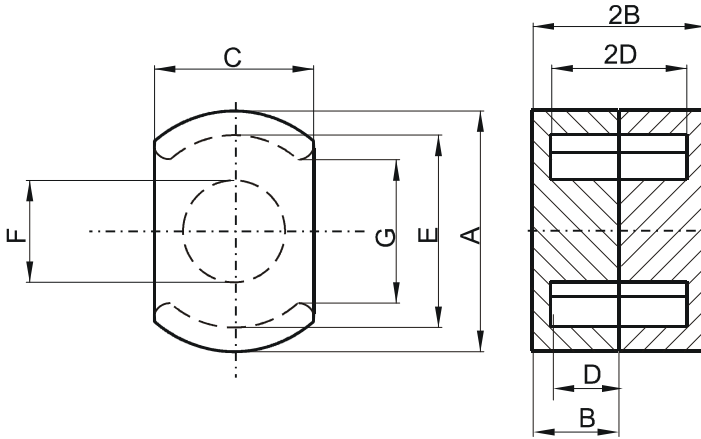


Specification for:

# DR43019UG

110 Delta Drive  
Pittsburgh, PA 15238  
Phone: 412/696-1333  
Fax: 412/696-0333  
Email: magnetics@spang.com

## DIMENSIONS



(mm)	Nominal:	Tol. min.:	Tol. max.:
<b>A</b>	30.0	-0.51	+ 0.51
<b>B</b>	9.4	-0.1	+ 0.1
<b>2B</b>	18.8	-0.2	+ 0.2
<b>C</b>	20.32	-0.25	+ 0.25
<b>D</b>	6.5 Min.		
<b>2D</b>	13.0 Min.		
<b>E</b>	25.0 Min.		
<b>F</b>	13.51 Max.		
<b>G</b>	15.49 Min.		
Eff. Parameters			
<b>Ae mm<sup>2</sup></b>	<b>Amin mm<sup>2</sup></b>	<b>le mm</b>	<b>Ve mm<sup>3</sup></b>
117.0	96.0	46.2	5410

## INDUCTANCE

AL value (nH)	Test conditions
Nom: 4440 Min.: 3330	10 kHz, < 0.5 mT, 25 °C

## MARKING

DR43019UG PXXXXX
---------------------

## CORE LOSSES

P <sub>i</sub> max	Test conditions
98 mW/cm <sup>3</sup> (0.53 W/set)	100 kHz, 100 mT, 100 °C
647 mW/cm <sup>3</sup> (3.5 W/set)	100 kHz, 200 mT, 100 °C

## NOTE

Spec. modifications	Previous	Revised
2005-06-22	Losses: General R material	Losses: Detail as indicated