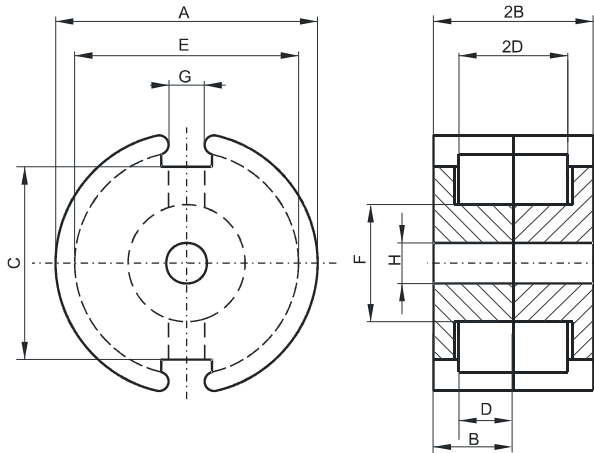


Specification for:

**0W44229UG**

110 Delta Drive  
Pittsburgh, PA 15238  
Phone: 412/696-1333  
Fax: 412/696-0333  
Email: magnetics@spang.com

**DIMENSIONS**



(mm)	Nominal:	Tol. min.:	Tol. max.:
<b>A</b>	42.4	-0.7	+ 0.7
<b>B</b>	14.7	-0.05	+ 0.05
<b>2B</b>	29.4	-0.1	+ 0.1
<b>C</b>	32.0	-0.7	+ 0.7
<b>D</b>	10.15 Min.		
<b>2D</b>	20.3 Min.		
<b>E</b>	36.3	-0.7	+ 0.7
<b>F</b>	17.4	-0.3	+ 0.3
<b>G</b>	5.1	-0.6	+ 0.6
<b>H</b>	5.55	-0.15	+ 0.15
<b>Eff. Parameters</b>			
<b>Ae mm<sup>2</sup></b>	<b>Amin mm<sup>2</sup></b>	<b>le mm</b>	<b>Ve mm<sup>3</sup></b>
265.0	214.0	68.6	18200

**INDUCTANCE**

<b>AL value (nH)</b>	<b>Test conditions</b>
Nom: 40000 Min.: 28000	10 kHz, < 0.5 mT, 25 °C

**MARKING**

No marking

**LOSS FACTOR**

<b>tan δ/μ (x10<sup>-6</sup>)</b>	<b>Test conditions</b>
< 3.5	10 kHz, < 0.25 mT, 25 °C
< 50	100 kHz, < 0.25 mT, 25 °C

**NOTE**

<b>Spec. modifications</b>	<b>Previous</b>	<b>Revised</b>
2005-06-22	2D=20.4 Min. D=10.2 Min. H=5.56±0.1 Loss factor: General W material Marking	2D=20.3 Min. D=10.15 Min. H=5.55±0.15 Loss factor: Detail as indicated No marking