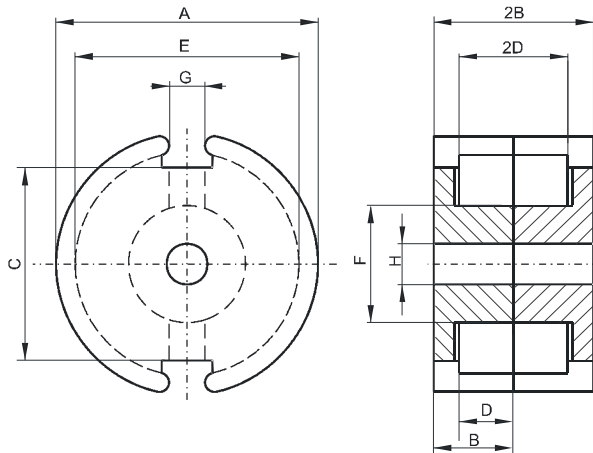


**DIMENSIONS**



(mm)	Nominal:	Tol. min.:	Tol. max.:
<b>A</b>	18.0	-0.4	+ 0.4
<b>B</b>	5.3	-0.05	+ 0.05
<b>2B</b>	10.6	-0.1	+ 0.1
<b>C</b>	13.4	-0.3	+ 0.3
<b>D</b>	3.7	-0.1	+ 0.1
<b>2D</b>	7.4	-0.2	+ 0.2
<b>E</b>	15.15	-0.25	+ 0.25
<b>F</b>	7.45	-0.15	+ 0.15
<b>G</b>	3.8	-0.6	+ 0.6
<b>H</b>	3.1	-0.1	+ 0.1
<b>Eff. Parameters</b>			
<b>Ae mm<sup>2</sup></b>	<b>Amin mm<sup>2</sup></b>	<b>le mm</b>	<b>Ve mm<sup>3</sup></b>
43.3	36.0	25.8	1120

**INDUCTANCE**

<b>AL value (nH/T<sup>2</sup>)</b>	<b>Test conditions</b>
3650 ± 25%	10 kHz, < 0.5 mT, 25 °C

**MARKING**

No marking

**LOSS FACTOR**

<b>tan δ/μ (x10<sup>-6</sup>)</b>	<b>Test conditions</b>
< 6	100 kHz, < 0.25 mT, 25 °C
<b>α<sub>F</sub> (x10<sup>-6</sup>)</b>	<b>Test conditions</b>
-0.7 to 0.7	20 °C to 40 °C
-0.7 to 0.7	40 °C to 70 °C