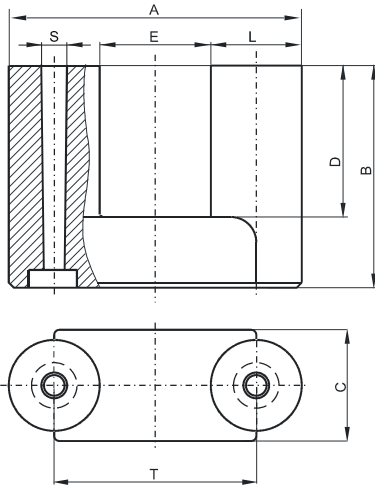


Specification for:

**0R46420UC**

110 Delta Drive  
Pittsburgh, PA 15238  
Phone: 412/696-1333  
Fax: 412/696-0333  
Email: magnetics@spang.com

**DIMENSIONS**



(mm)	Nominal:	Tol. min.:	Tol. max.:
<b>A</b>	64.0	-1.95	+ 1.95
<b>B</b>	40.5	-0.2	+ 0.2
<b>C</b>	24.0	-0.3	+ 0.3
<b>D</b>	26.5	-0.4	+ 0.4
<b>E</b>	24.1	-0.9	+ 0.9
<b>L</b>	20.0	-0.4	+ 0.4
<b>S</b>	4.0 Min.		
<b>T</b>	44.0	-0.6	+ 0.6
<b>Eff. Parameters</b>			
<b>Ae mm<sup>2</sup></b>	<b>Amin mm<sup>2</sup></b>	<b>le mm</b>	<b>Ve mm<sup>3</sup></b>
290.0	290.0	210.0	61000

**INDUCTANCE**

<b>AL value (nH)</b>	<b>Test conditions</b>
Nom: 3787 Min.: 2840	10 kHz, < 0.5 mT, 25 °C

**MARKING**

0R46420UC PXXXXX
---------------------

**CORE LOSSES**

<b>P<sub>i</sub> max</b>	<b>Test conditions</b>
110 mW/cm <sup>3</sup> (6.7 W/set)	100 kHz, 100 mT, 100 °C
623 mW/cm <sup>3</sup> (38 W/set)	100 kHz, 200 mT, 100 °C