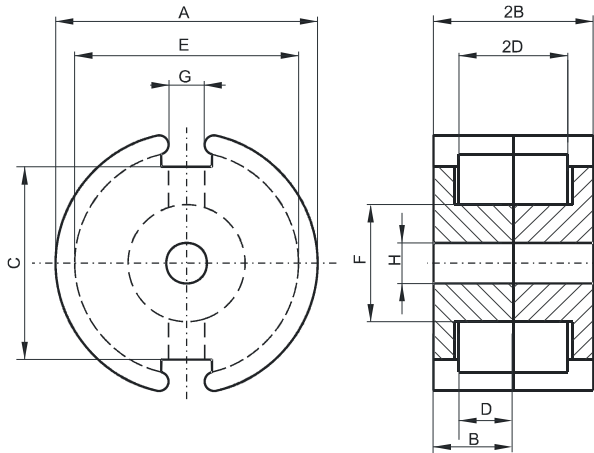


Specification for:

**0R44229UG**

110 Delta Drive  
Pittsburgh, PA 15238  
Phone: 412/696-1333  
Fax: 412/696-0333  
Email: magnetics@spang.com

**DIMENSIONS**



(mm)	Nominal:	Tol. min.:	Tol. max.:
<b>A</b>	42.4	-0.7	+ 0.7
<b>B</b>	14.7	-0.05	+ 0.05
<b>2B</b>	29.4	-0.1	+ 0.1
<b>C</b>	32.0	-0.7	+ 0.7
<b>D</b>	10.15 Min.		
<b>2D</b>	20.3 Min.		
<b>E</b>	36.3	-0.7	+ 0.7
<b>F</b>	17.4	-0.3	+ 0.3
<b>G</b>	5.1	-0.6	+ 0.6
<b>H</b>	5.55	-0.15	+ 0.15
Eff. Parameters			
Ae mm <sup>2</sup>	Amin mm <sup>2</sup>	le mm	Ve mm <sup>3</sup>
265.0	214.0	68.6	18200

**INDUCTANCE**

AL value (nH)	Test conditions
Nom: 9200 Min.: 6900	10 kHz, < 0.5 mT, 25 °C

**MARKING**

0R44229UG PXXXXX
---------------------

**CORE LOSSES**

P <sub>i</sub> max	Test conditions
104 mW/cm <sup>3</sup> (1.9 W/set)	100 kHz, 100 mT, 100 °C
632 mW/cm <sup>3</sup> (11.5 W/set)	100 kHz, 200 mT, 100 °C

**NOTE**

Spec. modifications	Previous	Revised
2005-06-22	2D=20.4 Min. D=10.2 Min. H=5.56±0.1 Losses: General R material	2D=20.3 Min. D=10.15 Min. H=5.55±0.15 Losses: Detail as indicated