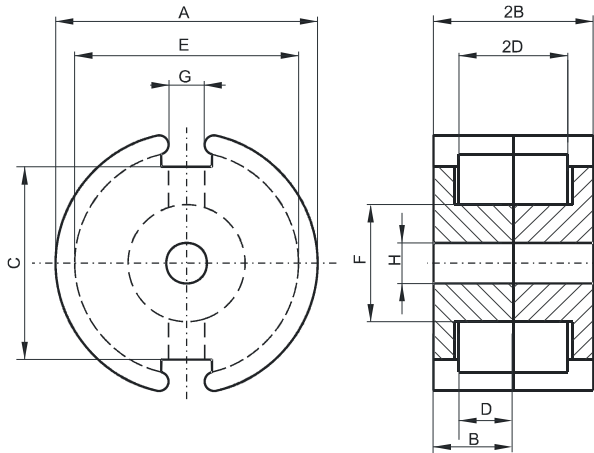


Specification for:

**0P44229UG**

110 Delta Drive  
Pittsburgh, PA 15238  
Phone: 412/696-1333  
Fax: 412/696-0333  
Email: magnetics@spang.com

**DIMENSIONS**



| (mm)                     | Nominal:                   | Tol. min.:   | Tol. max.:               |
|--------------------------|----------------------------|--------------|--------------------------|
| <b>A</b>                 | 42.4                       | -0.7         | + 0.7                    |
| <b>B</b>                 | 14.7                       | -0.05        | + 0.05                   |
| <b>2B</b>                | 29.4                       | -0.1         | + 0.1                    |
| <b>C</b>                 | 32.0                       | -0.7         | + 0.7                    |
| <b>D</b>                 | 10.15 Min.                 |              |                          |
| <b>2D</b>                | 20.3 Min.                  |              |                          |
| <b>E</b>                 | 36.3                       | -0.7         | + 0.7                    |
| <b>F</b>                 | 17.4                       | -0.3         | + 0.3                    |
| <b>G</b>                 | 5.1                        | -0.6         | + 0.6                    |
| <b>H</b>                 | 5.55                       | -0.15        | + 0.15                   |
| <b>Eff. Parameters</b>   |                            |              |                          |
| <b>Ae mm<sup>2</sup></b> | <b>Amin mm<sup>2</sup></b> | <b>le mm</b> | <b>Ve mm<sup>3</sup></b> |
| 265.0                    | 214.0                      | 68.6         | 18200                    |

**INDUCTANCE**

| <b>AL value (nH)</b>     | <b>Test conditions</b>  |
|--------------------------|-------------------------|
| Nom: 10000<br>Min.: 7500 | 10 kHz, < 0.5 mT, 25 °C |

**MARKING**

|                     |
|---------------------|
| 0P44229UG<br>PXXXXX |
|---------------------|

**CORE LOSSES**

| <b>P<sub>i</sub> max</b>           | <b>Test conditions</b>  |
|------------------------------------|-------------------------|
| 126 mW/cm <sup>3</sup> (2.3 W/set) | 100 kHz, 100 mT, 100 °C |

**NOTE**

| <b>Spec. modifications</b> | <b>Previous</b>   | <b>Revised</b>   |
|----------------------------|---|--|
| 2005-06-22                 | 2D=20.4 Min.<br>D=10.2 Min.<br>H=5.56±0.1<br>Losses: General P material | 2D=20.3 Min.<br>D=10.15 Min.<br>H=5.55±0.15<br>Losses: Detail as indicated |