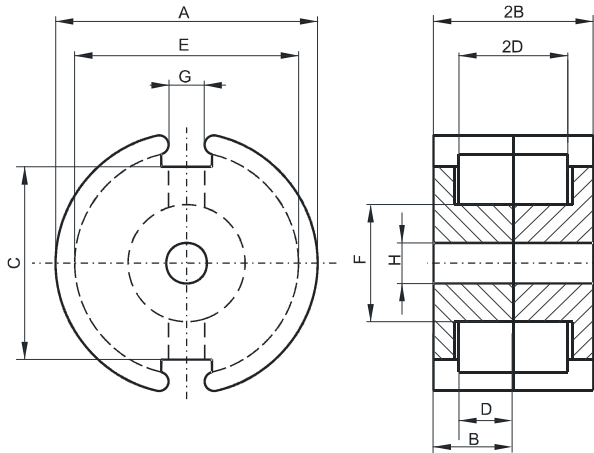


Specification for:

**0P42616UG**

110 Delta Drive  
Pittsburgh, PA 15238  
Phone: 412/696-1333  
Fax: 412/696-0333  
Email: magnetics@spang.com

**DIMENSIONS**



(mm)	Nominal:	Tol. min.:	Tol. max.:
<b>A</b>	25.5	-0.5	+ 0.5
<b>B</b>	8.05	-0.1	+ 0.1
<b>2B</b>	16.1	-0.2	+ 0.2
<b>C</b>	18.0	-0.4	+ 0.4
<b>D</b>	5.5 Min.		
<b>2D</b>	11.0 Min.		
<b>E</b>	21.6	-0.4	+ 0.4
<b>F</b>	11.3	-0.2	+ 0.2
<b>G</b>	3.8	-0.6	+ 0.6
<b>H</b>	5.5	-0.1	+ 0.1
Eff. Parameters			
<b>Ae mm<sup>2</sup></b>	<b>Amin mm<sup>2</sup></b>	<b>le mm</b>	<b>Ve mm<sup>3</sup></b>
93.9	77.4	37.6	3530

**INDUCTANCE**

AL value (nH)	Test conditions
Nom: 5667 Min.: 4250	10 kHz, < 0.5 mT, 25 °C

**MARKING**

0P42616UG PXXXXX
---------------------

**CORE LOSSES**

P <sub>i</sub> max	Test conditions
122 mW/cm <sup>3</sup> (0.43 W/set)	100 kHz, 100 mT, 100 °C

**NOTE**

Spec. modifications	Previous	Revised
2005-06-16	2D=11.02 Min. D=5.51 Min. F=11.48 Max. G=4.2 Nom. G=4.11 Min. H=5.56±0.1 Losses: General P material	2D=11.0 Min. D=5.5 Min. F=11.5 Max. G=3.8±0.6  H=5.5±0.1 Losses: Detail as indicated