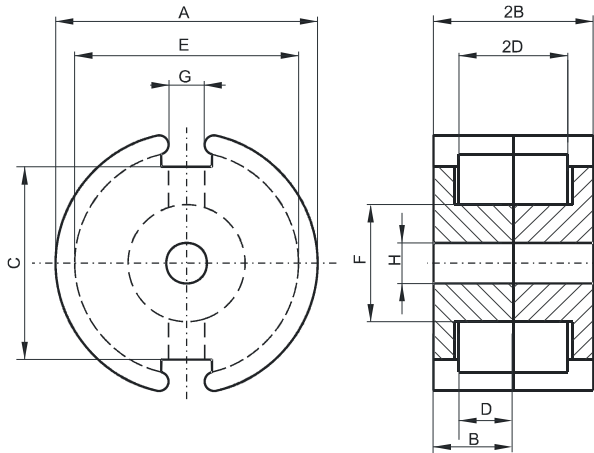


Specification for:

0P41814UG

110 Delta Drive
Pittsburgh, PA 15238
Phone: 412/696-1333
Fax: 412/696-0333
Email: magnetics@spang.com

DIMENSIONS



(mm)	Nominal:	Tol. min.:	Tol. max.:
A	18.0	-0.4	+ 0.4
B	7.1	-0.2	+ 0.2
2B	14.2	-0.4	+ 0.4
C	11.84	-0.25	+ 0.25
D	5.05	0.0	+ 0.2
2D	10.1	0.0	+ 0.4
E	14.0	0.0	+ 0.4
F	7.4	-0.3	0.0
G	3.6	0.0	+ 0.3
H	3.1	-0.08	+ 0.08
Eff. Parameters			
Ae mm ²	Amin mm ²	le mm	Ve mm ³
42.6	36.0	29.3	1248

INDUCTANCE

AL value (nH)	Test conditions
Nom: 3268 Min.: 2451	10 kHz, < 0.5 mT, 25 °C

MARKING

P UG

CORE LOSSES

P _i max	Test conditions
112 mW/cm ³ (0.14 W/set)	100 kHz, 100 mT, 100 °C

NOTE

Spec. modifications	Previous	Revised
2005-06-16	B=7.1 Max. 2B=14.7 Max. Losses: General P material	B=7.3 Max. 2B=14.6 Max. Losses: Detail as indicated