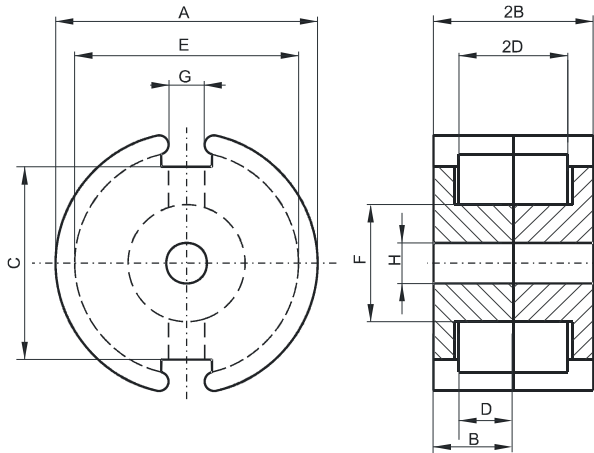


Specification for:

0J41811UG

110 Delta Drive
Pittsburgh, PA 15238
Phone: 412/696-1333
Fax: 412/696-0333
Email: magnetics@spang.com

DIMENSIONS



(mm)	Nominal:	Tol. min.:	Tol. max.:
A	18.0	-0.4	+ 0.4
B	5.3	-0.05	+ 0.05
2B	10.6	-0.1	+ 0.1
C	13.4	-0.3	+ 0.3
D	3.7	-0.1	+ 0.1
2D	7.4	-0.2	+ 0.2
E	15.15	-0.25	+ 0.25
F	7.45	-0.15	+ 0.15
G	3.8	-0.6	+ 0.6
H	3.1	-0.1	+ 0.1
Eff. Parameters			
Ae mm ²	Amin mm ²	le mm	Ve mm ³
43.3	36.0	25.8	1120

INDUCTANCE

AL value (nH)	Test conditions
Nom: 7500 Min.: 5625	10 kHz, < 0.5 mT, 25 °C

MARKING

No marking

LOSS FACTOR

tan δ/μ (x10 ⁻⁶)	Test conditions
< 20	100 kHz, < 0.25 mT, 25 °C

NOTE

Spec. modifications	Previous	Revised
2005-06-22	A=18.0±0.38 2B=10.67 Max. C=13.08 Nom. E=14.98 Min. G=4.1 Min. G=4.3 Nom. H=3.1±0.08 Loss factor: General J material Marking	A=18.0±0.4 2B=10.7 Max. C=13.4±0.3 E=14.9 Min. G=3.8±0.6 H=3.1±0.1 Loss factor: Detail as indicated No marking