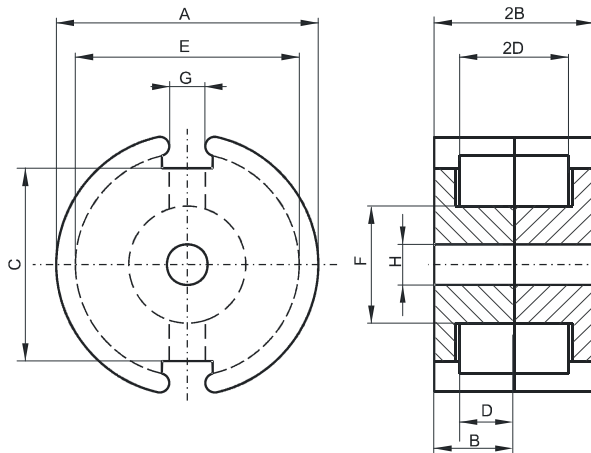


**DIMENSIONS**



(mm)	Nominal:	Tol. min.:	Tol. max.:
<b>A</b>	11.1	-0.2	+ 0.2
<b>B</b>	3.25	-0.05	+ 0.05
<b>2B</b>	6.5	-0.1	+ 0.1
<b>C</b>	6.8	-0.25	+ 0.25
<b>D</b>	2.2	0.0	+ 0.15
<b>2D</b>	4.4	0.0	+ 0.3
<b>E</b>	9.0	0.0	+ 0.4
<b>F</b>	4.7	-0.2	0.0
<b>G</b>	2.2	-0.3	+ 0.3
<b>H</b>	2.1	-0.1	+ 0.1
<b>Eff. Parameters</b>			
<b>Ae mm<sup>2</sup></b>	<b>Amin mm<sup>2</sup></b>	<b>le mm</b>	<b>Ve mm<sup>3</sup></b>
16.2	13.2	15.5	251

**INDUCTANCE**

**MARKING**

<b>AL value (nH/T<sup>2</sup>)</b>	<b>Test conditions</b>	<b>No marking</b>
Nom: 3900 Min.: 2925	10 kHz, < 0.5 mT, 25 °C	

**LOSS FACTOR**

<b>tan δ/μ</b>	<b>Test conditions</b>
< 15	100 kHz, < 0.25 mT, 25 °C

**NOTE**

<b>Spec. modifications</b>	<b>Previous</b>	<b>Revised</b>
2005-06-22	C=7.54 Nom. D=2.24 Min. 2D=4.42 Min. G=1.93 Nom. G=1.78 Min. H=2.06±0.05 Loss factor: General J material Marking	C=6.8±0.25 D=2.20 Min. 2D=4.40 Min. G=2.2±0.3  H=2.1±0.1 Loss factor: Detail as indicated No marking