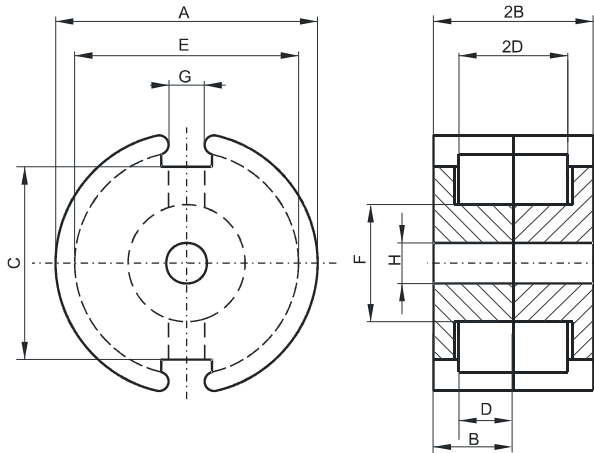


Specification for:

0F44229UG

110 Delta Drive
Pittsburgh, PA 15238
Phone: 412/696-1333
Fax: 412/696-0333
Email: magnetics@spang.com

DIMENSIONS



(mm)	Nominal:	Tol. min.:	Tol. max.:
A	42.4	-0.7	+ 0.7
B	14.7	-0.05	+ 0.05
2B	29.4	-0.1	+ 0.1
C	32.0	-0.7	+ 0.7
D	10.15 Min.		
2D	20.3 Min.		
E	36.3	-0.7	+ 0.7
F	17.4	-0.3	+ 0.3
G	5.1	-0.6	+ 0.6
H	5.55	-0.15	+ 0.15
Eff. Parameters			
Ae mm²	Amin mm²	le mm	Ve mm³
265.0	214.0	68.6	18200

INDUCTANCE

AL value (nH)	Test conditions
12000 ± 25%	10 kHz, < 0.5 mT, 25 °C

MARKING

0F44229UG PXXXXX

CORE LOSSES

P _i max	Test conditions
231 mW/cm ³ (4.2 W/set)	25 kHz, 200 mT, 100 °C

NOTE

Spec. modifications	Previous	Revised
2005-06-22	2D=20.4 Min. D=10.2 Min. H=5.56±0.1 Losses: General F material	2D=20.3 Min. D=10.15 Min. H=5.55±0.15 Losses: Detail as indicated