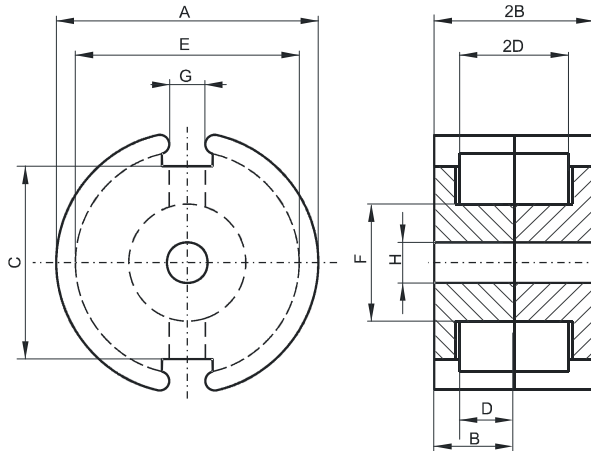


**DIMENSIONS**



(mm)	Nominal:	Tol. min.:	Tol. max.:
<b>A</b>	27.71	-0.4	+ 0.4
<b>B</b>	11.43	-0.15	+ 0.15
<b>2B</b>	22.86	-0.3	+ 0.3
<b>C</b>	19.69 Nom.		
<b>D</b>	8.15 Min.		
<b>2D</b>	16.3 Min.		
<b>E</b>	22.0 Min.		
<b>F</b>	12.88 Max.		
<b>G</b>	3.81 Min.		
<b>H</b>	5.56	-0.1	+ 0.1
<b>Eff. Parameters</b>			
<b>Ae mm<sup>2</sup></b>	<b>Amin mm<sup>2</sup></b>	<b>le mm</b>	<b>Ve mm<sup>3</sup></b>
128	101	48.1	6160

**INDUCTANCE**

**MARKING**

<b>AL value (nH/T<sup>2</sup>)</b>	<b>Test conditions</b>	0F42823UG PXXXXX
7000 ± 25%	10 kHz, < 0.5 mT, 25 °C	

**CORE LOSSES**

<b>P<sub>i</sub> max</b>	<b>Test conditions</b>
< 1.45 W/set (< 237 mW/cm <sup>3</sup> )	25 kHz, 200 mT, 100 °C

**NOTE**

Spec. modifications	Previous	Revised
2007-02-05	Losses: General F material	Losses: Detail as indicated