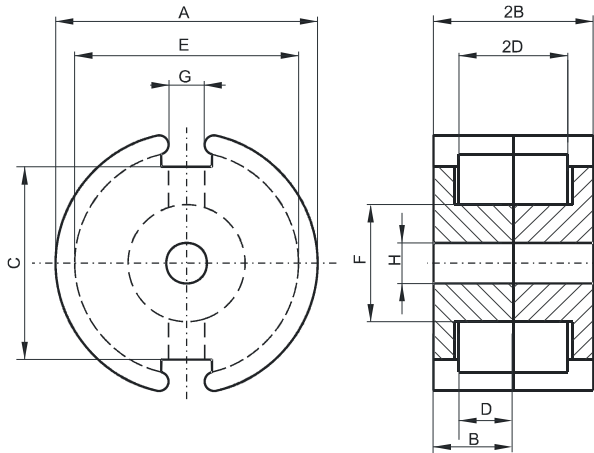


Specification for:

0F41408UG

110 Delta Drive
Pittsburgh, PA 15238
Phone: 412/696-1333
Fax: 412/696-0333
Email: magnetics@spang.com

DIMENSIONS



(mm)	Nominal:	Tol. min.:	Tol. max.:
A	14.3	-0.5	0.0
B	4.2	-0.05	+ 0.05
2B	8.4	-0.1	+ 0.1
C	9.5	-0.3	+ 0.3
D	2.8	0.0	+ 0.2
2D	5.6	0.0	+ 0.4
E	11.6	0.0	+ 0.4
F	6.0	-0.2	0.0
G	2.7	0.0	+ 1.2
H	3.0	0.0	+ 0.1
Eff. Parameters			
Ae mm²	Amin mm²	le mm	Ve mm³
25.1	19.8	19.8	495

INDUCTANCE

AL value (nH)	Test conditions
2800 ± 25%	10 kHz, < 0.5 mT, 25 °C

MARKING

No marking

CORE LOSSES

P _i max	Test conditions
202 mW/cm ³ (0.1 W/set)	25 kHz, 200 mT, 100 °C

NOTE

Spec. modifications	Previous	Revised
2005-06-22	H=3.1±0.08 Losses: General F material Marking	H=3.0 MIN. H=3.1 MAX. Losses: Detail as indicated No marking