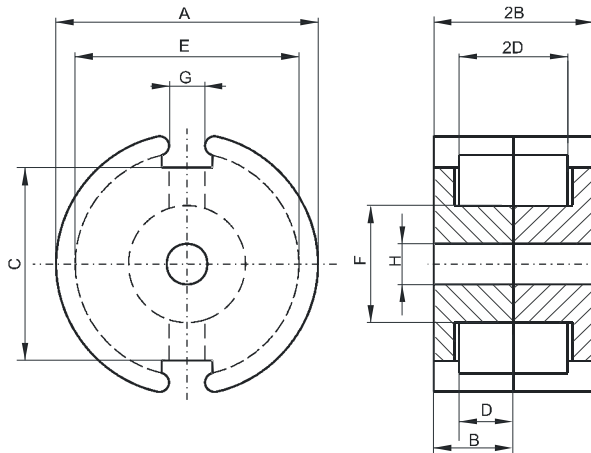


DIMENSIONS



(mm)	Nominal:	Tol. min.:	Tol. max.:
A	14.3	-0.5	0.0
B	4.175	-0.065	+ 0.065
2B	8.35	-0.13	+ 0.13
C	9.5	-0.3	+ 0.3
D	2.8	0.0	+ 0.2
2D	5.6	0.0	+ 0.4
E	11.6	0.0	+ 0.4
F	6.0	-0.2	0.0
G	2.7	0.0	+ 1.2
H	3.0	0.0	+ 0.1
Eff. Parameters			
Ae mm²	Amin mm²	le mm	Ve mm³
25.1	19.8	19.8	495

INDUCTANCE

AL value (nH/T ²)	Test conditions
2100 ± 25%	10 kHz, < 0.5 mT, 25 °C

MARKING

No marking

LOSS FACTOR

$\tan \delta/\mu$ ($\times 10^{-6}$)	Test conditions
< 6	100 kHz, < 0.25 mT, 25 °C
α_F ($\times 10^{-6}$)	Test conditions
1.0 to 8.0	-30 °C to -10 °C
0 to 5.0	-10 °C to 20 °C
-2.0 to 1.0	20 °C to 40 °C
-2.0 to 1.0	40 °C to 70 °C