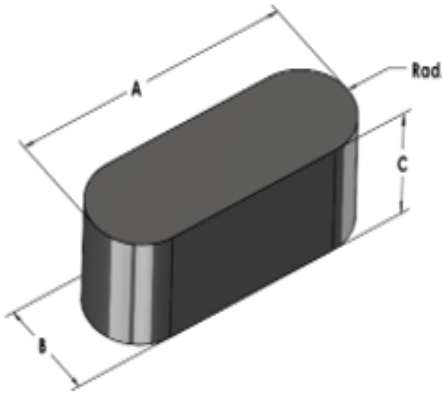




00X8030R026

110 Delta Drive
 Pittsburgh, PA 15238
 NAFTA Sales: (1)800-245-3984
 HK Sales : (852)3102-9337
 magnetics@spang.com
 www.mag-inc.com



XFlux Permeability (μ)	Core Marking	
	Lot Number	Part Number
26	XXXXXX	X8030R026

	Dimensions		Tolerance (\pm)			Packaging
	(mm)	(in)	(mm)	(in)		
A	80.50	3.168	0.50	0.020		Plastic Trays Box Qty = 32 pcs
B	30.20	1.189	0.30	0.012		
C	23.50	0.92	0.20	0.008		
Radius	15.00					

Physical Characteristics		Temperature Rating		Note
Volume V_e (mm ³)	Est. Weight (g)	Curie Temp:	700 °C	Cosmetic Standard: Magnetix Xflux shapes criteria for appearance
40,800	245			

