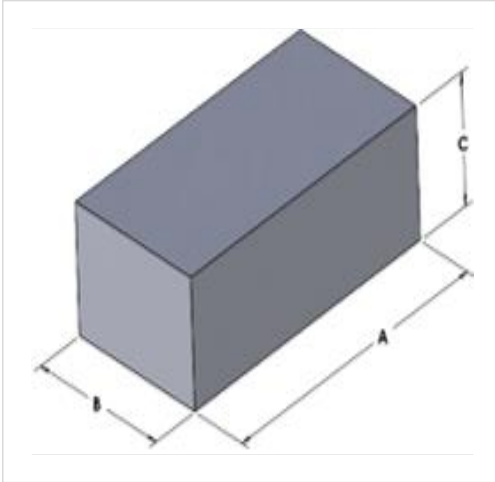




# 00X8020B026

110 Delta Drive  
 Pittsburgh, PA 15238  
 NAFTA Sales: (1)800-245-3984  
 HK Sales : (852)3102-9337  
 magnetics@spang.com  
 www.mag-inc.com



| XFlux Permeability ( $\mu$ ) | Core Marking |             |
|------------------------------|--------------|-------------|
|                              | Lot Number   | Part Number |
| 26                           | XXXXXX       | X8020B026   |

|          | Dimensions |       | Tolerance ( $\pm$ ) |       | Packaging                           |
|----------|------------|-------|---------------------|-------|-------------------------------------|
|          | (mm)       | (in)  | (mm)                | (in)  |                                     |
| <b>A</b> | 80.50      | 3.168 | 0.50                | 0.020 | Cardboard cut-outs<br>Box Qty = TBD |
| <b>B</b> | 20.30      | 0.799 | 0.50                | 0.020 |                                     |
| <b>C</b> | 20.00      | 0.79  | 0.20                | 0.008 |                                     |

| Physical Characteristics        |                 | Temperature Rating | Note   |
|---------------------------------|-----------------|--------------------|--|
| Volume $V_e$ (mm <sup>3</sup> ) | Est. Weight (g) | Curie Temp: 700 °C | Cosmetic Standard: Magnetics XFlux criteria for appearance |
| 32,683                          | 187.93          |                    |  |

