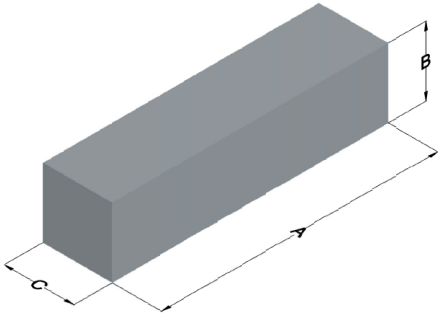




# 00X7030B026

110 Delta Drive  
 Pittsburgh, PA 15238  
 NAFTA Sales: (1)800-245-3984  
 HK Sales : (852)3102-9337  
 magnetics@spang.com  
 www.mag-inc.com



| XF <sub>LUX</sub><br>Permeability<br>(μ) | Core Marking |             |
|--|--------------|-------------|
|  | Lot Number   | Part number |
| 26                                       | XXXXXX       | X7030B026   |

|          | Dimensions |       | Tolerance (±) |       | Packaging                             |
|----------|------------|-------|---------------|-------|---------------------------------------|
|          | (mm)       | (in)  | (mm)          | (in)  |                                       |
| <b>A</b> | 70.5       | 2.776 | 0.50          | 0.020 | Cardboard cut-outs<br>Box Qty= 60 pcs |
| <b>B</b> | 30.3       | 1.193 | 0.30          | 0.012 |                                       |
| <b>C</b> | 20.0       | 0.787 | 0.20          | 0.008 |                                       |

| Physical Characteristics                 |            | Temperature Rating | Note:   |
|--|------------|--------------------|---|
| Volume V <sub>e</sub> (mm <sup>3</sup> ) | Weight (g) | Curie Temp: 700°C  | Cosmetic Standard: Magnetics' Xflux shapes criteria for appearance. |
| 42,800                                   | 220        |                    |   |

