

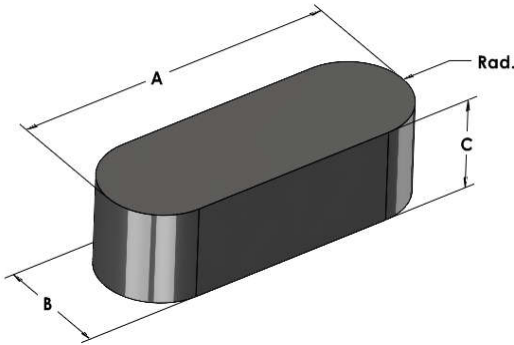


# 00X6524R040

PRELIMINARY

110 Delta Drive  
 Pittsburgh, PA 15238  
 NAFTA Sales: (1)800-245-3984  
 HK Sales : (852)3102-9337  
 magnetics@spang.com  
 www.mag-inc.com

XFlux Permeability ( $\mu$ )	Core Marking	
	Lot Number	Part Number
40	XXXXXX	X6524R040



	Dimensions		Tolerance ( $\pm$ )		Packaging
	(mm)	(in)	(mm)	(in)	
<b>A</b>	64.50	2.538	0.50	0.020	Cardboard cut-outs Box Qty = TBD
<b>B</b>	24.20	0.952	0.30	0.012	
<b>C</b>	18.80	0.740	0.20	0.008	
<b>Rad.</b>	12.00	0.472	0.20	0.008	

Physical Characteristics		Temperature Rating	Note
Volume $V_e$ (mm <sup>3</sup> )	Est. Weight (g)	Curie Temp: 700°C	Cosmetic Standard: Magnetics XFlux criteria for appearance
27,000	165		

