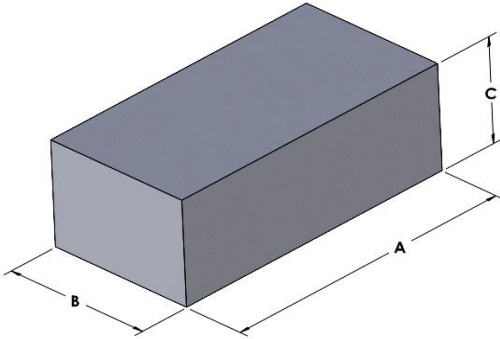




# 00X6131B060

110 Delta Drive  
 Pittsburgh, PA 15238  
 NAFTA Sales: (1)800-245-3984  
 HK Sales : (852)3102-9337  
 magnetics@spang.com  
 www.mag-inc.com

## PRELIMINARY



XFlux Permeability ( $\mu$ )	Core Marking	
	Lot Number	Part Number
60	XXXXXX	X6131B060

	Dimensions		Tolerance ( $\pm$ )			Packaging
	(mm)	(in)	(mm)	(in)		
<b>A</b>	60.50	2.381	0.50	0.020		Cardboard cut-outs Box Qty = TBD
<b>B</b>	30.30	1.192	0.30	0.012		
<b>C</b>	20.00	00.79	0.20	0.008		

Physical Characteristics		Temperature Rating	Note
Volume $V_e$ (mm <sup>3</sup> )	Est. Weight (g)	Curie Temp: 700 °C	Cosmetic Standard: Magnetics XFlux criteria for appearance
36,700	231		

