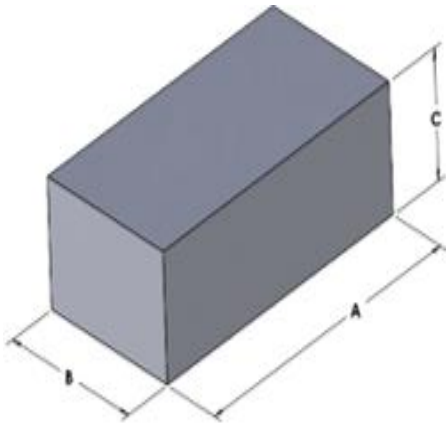




**00X2517B026**

110 Delta Drive  
 Pittsburgh, PA 15238  
 NAFTA Sales: (1)800-245-3984  
 HK Sales : (852)3102-9337  
 magnetics@spang.com  
 www.mag-inc.com



XFlux Permeability ( $\mu$ )	Core Marking	
	Lot Number	Part Number
26	XXXXXX	X2517B026

	Dimensions		Tolerance ( $\pm$ )			Packaging
	(mm)	(in)	(mm)	(in)		
<b>A</b>	25.40	1.000	0.30	0.012		TBD
<b>B</b>	16.50	0.649	0.30	0.012		
<b>C</b>	5.30	0.209	0.20	0.008		

Physical Characteristics		Temperature Rating		Note
Volume $V_e$ (mm <sup>3</sup> )	Est. Weight (g)	Curie Temp:	700 °C	Cosmetic Standard: Magnetics Powder Core shapes criteria for appearance
2,200	13			

