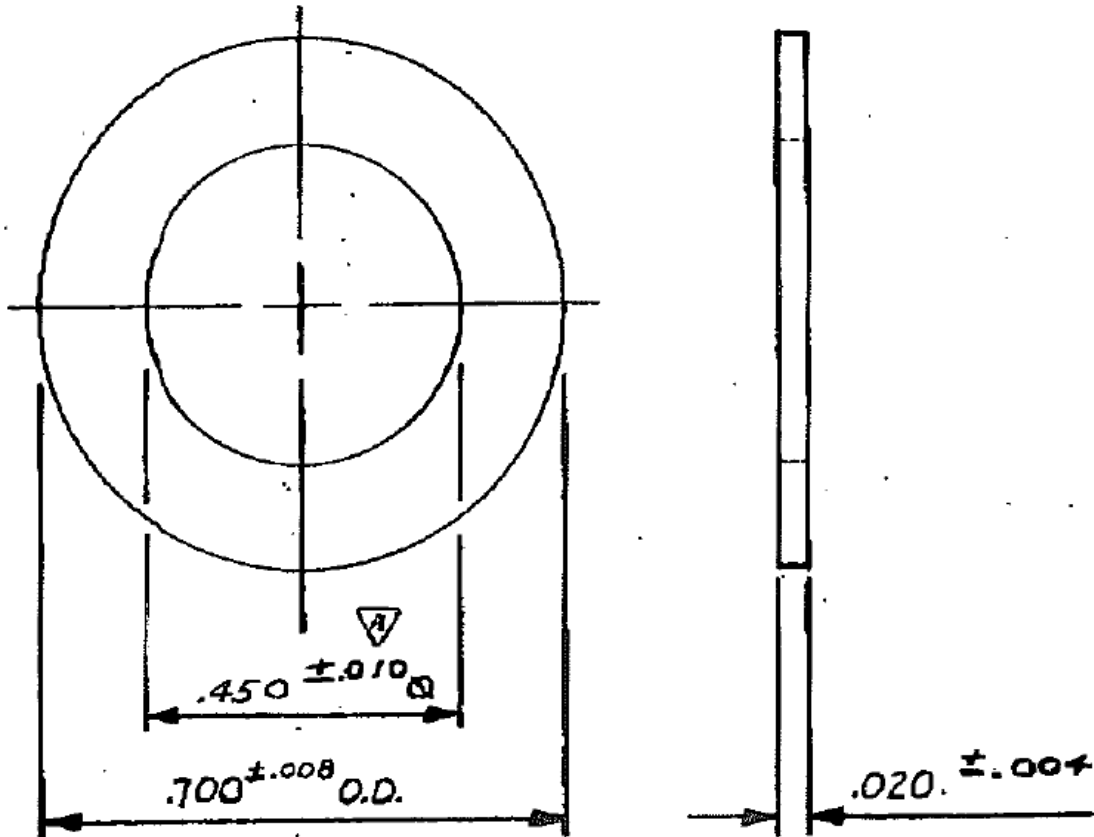




Specification for:  
**00W181118**

110 Delta Drive  
Pittsburgh, PA 15238  
Phone: 412/696-1333  
Fax: 412/696-0333  
Email:magnetics@spang.com



**MATERIAL**

Material: Polypropylene

**REMARKS**

Revision None

Revision 10/10/2013