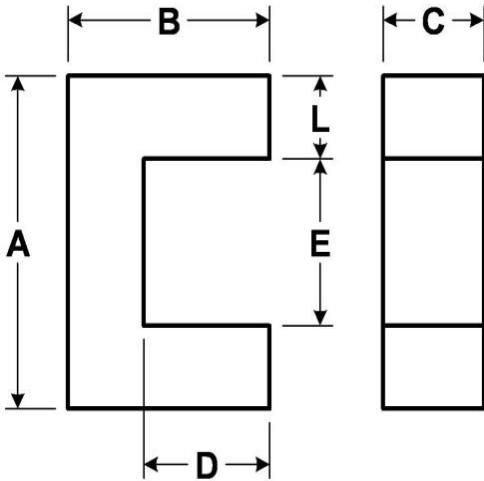




00K8038U060

110 Delta Drive
 Pittsburgh, PA 15238
 NAFTA Sales: (1)800-245-3984
 HK Sales : (852)3102-9337
 magnetics@spang.com
 www.mag-inc.com



Kool M μ Permeability (μ)	A _L (nH/T ²)	Core Marking	
		Lot Number	Part Number
60	179 ± 8%	XXXXXX	K8038U060

	Dimensions		Tolerance (±)			Packaging
	(mm)	(in)	(mm)	(in)		
A	80.01	3.150	0.89	0.035		Box Qty = 63 Pcs
B	38.10	1.500	0.64	0.025		
C	23.04	0.907	0.38	0.015		
D	22.43	0.883	-	-	min	Available Hardware
E	49.28	1.940	-	-	min	None
L	15.37	0.605	-	-	nom	

Electrical Characteristics			Physical Characteristics					
Watt Loss @ 100 kHz, 100mT max (mW/cm ³)	DC Bias min (oersteds)		Break Strength min (kg)	Window Area W _a (mm ²)	Cross Section A _e (mm ²)	Path Length L _e (mm)	Volume V _e (mm ³)	Est. Weight (Ea. Piece) (g)
	80%	50%						
1245	25	60	113	2,210	354	237	83,900	238

Notes:	Temperature Rating
	Curie Temp: 500 °C

