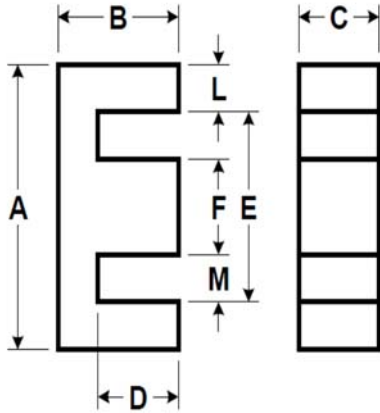




00K5528E026

110 Delta Drive
 Pittsburgh, PA 15238
 NAFTA Sales: (1)800-245-3984
 HK Sales : (852)3102-9337
 magnetics@spang.com
 www.mag-inc.com



Kool M μ Permeability (μ)	A _L (nH/T ²)	Core Marking	
		Lot Number	Part number
26	116 ± 8%	XXXXXX	K5528E026

	Dimensions		Tolerance (±)			Packaging
	(mm)	(in)	(mm)	(in)		
A	54.86	2.160	0.813	0.032		Box Qty= 112 pcs
B	27.56	1.085	0.406	0.016		
C	20.6	0.812	0.381	0.015		
D	18.5	0.729	-	-	Min	Available Hardware
E	37.49	1.476	-	-	Min	PCB5528WC
F	16.8	0.660	0.381	0.015		00B5528B1
L	8.38	0.330	-	-	Nom	
M	10.2	0.405	-	-	Min	

Electrical Characteristics		Physical Characteristics					
Watt Loss @ 100 kHz, 100mT max(mW/cm ³)	DC Bias min (A·T/cm)	Break Strength min (kg)	Window Area W _A (mm ²)	Cross Section A _e (mm ²)	Path Length L _e (mm)	Volume V _e (mm ³)	Weight (Ea. Piece) (g)
1800	80%	32	380	350	123	43,100	120
	75.7						

Notes:	Temperature Rating
	Curie Temp: 500°C

