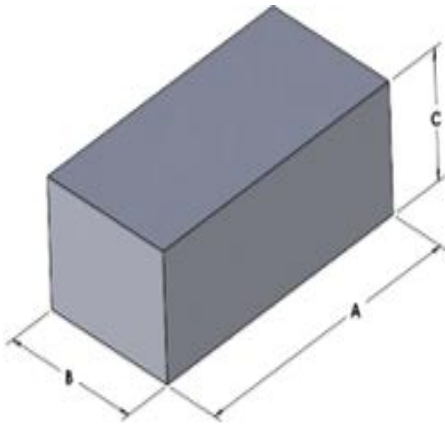




**00K5241B060**

110 Delta Drive  
 Pittsburgh, PA 15238  
 NAFTA Sales: (1)800-245-3984  
 HK Sales : (852)3102-9337  
 magnetics@spang.com  
 www.mag-inc.com



Kool M $\mu$ Permeability ( $\mu$ )	Core Marking	
	Lot Number	Part Number
60	XXXXXX	K5241B060

	Dimensions		Tolerance ( $\pm$ )			Packaging
	(mm)	(in)	(mm)	(in)		
<b>A</b>	52.00	2.047	0.50	0.020		Box Qty = 40
<b>B</b>	41.00	1.614	0.51	0.020		
<b>C</b>	27.51	1.083	0.41	0.016		

Physical Characteristics		Temperature Rating		Note
Volume V <sub>e</sub> (mm <sup>3</sup> )	Est. Weight (g)	Curie Temp:	500 °C	Cosmetic Standard: Magnetics Powder Core shapes criteria for appearance
58,700	310			

