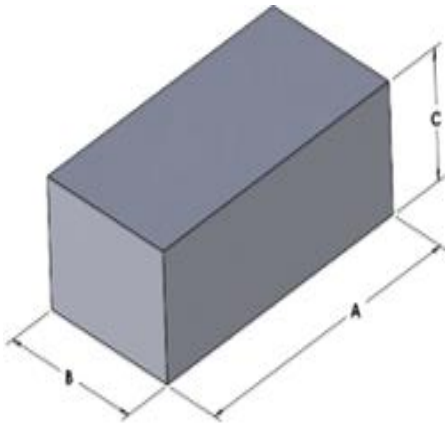




00K5241B026

110 Delta Drive
 Pittsburgh, PA 15238
 NAFTA Sales: (1)800-245-3984
 HK Sales : (852)3102-9337
 magnetics@spang.com
 www.mag-inc.com



Kool M μ Permeability (μ)	Core Marking	
	Lot Number	Part Number
26	XXXXXX	K5241B026

	Dimensions		Tolerance (\pm)			Packaging
	(mm)	(in)	(mm)	(in)		
A	52.00	2.047	0.50	0.020		Box Qty = 40
B	41.00	1.614	0.51	0.020		
C	27.51	1.083	0.41	0.016		

Physical Characteristics		Temperature Rating		Note
Volume V _e (mm ³)	Est. Weight (g)	Curie Temp:	500 °C	Cosmetic Standard: Magnetics Powder Core shapes criteria for appearance
58,700	298			

