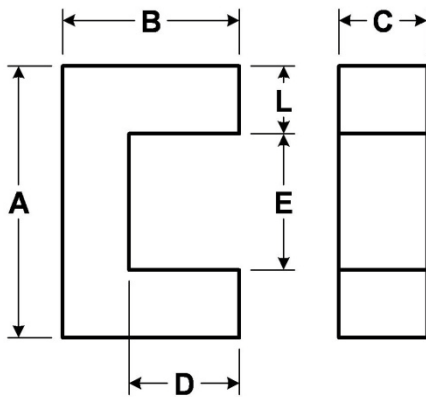




# 00K4110U060

110 Delta Drive  
 Pittsburgh, PA 15238  
 Phone: 412/696-1333  
 Fax: 412/696-0333  
 Email:magnetics@spang.com



Permeability ( $\mu$ )	$A_L$ (nH/T <sup>2</sup> )
60	78 ± 8%

DIMENSIONS (mm)		±
A	40.64	0.51
B	11.18	0.51
C	9.53	0.38
D (min)	2.54	--
E (min)	23.88	--
L (nom)	8.38	--

Markings		
XXXXXX	00K4110U060	N/A
Lot Number	Part Number	Inductance Grade

Physical Characteristics				
$A_e$ (mm <sup>2</sup> ) Cross Section	$L_e$ (mm) Path Length	$V_e$ (mm <sup>3</sup> ) Volume	Weight (grams)	Box Quantity (pieces)
80	85.2	6,810	18.7	720

Available Hardware

