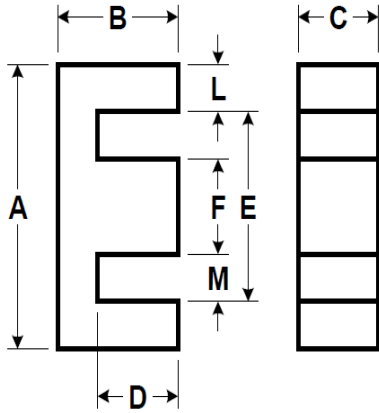




00K114LE026HT26

110 Delta Drive
 Pittsburgh, PA 15238
 NAFTA Sales: (1)800-245-3984
 HK Sales : (852)3102-9337
 magnetics@spang.com
 www.mag-inc.com



Kool M μ Permeability (μ)	A _L (nH/T ²)	Core Marking	
		Lot Number	Part number
26	182 ± 8%	XXXXXX	K114LE026HT26

	Dimensions		Tolerance (±)			Packaging
	(mm)	(in)	(mm)	(in)		
A	114.3	4.500	0.762	0.030		Cardboard cut-outs Box Qty= 24 pc
B	46.18	1.818	0.381	0.015		
C	26.19	1.031	0.254	0.010		
D	28.60	1.126	-	-	Min	Available Hardware
E	79.50	3.13	-	-	Min	00B114LB1
F	35.10	1.382	0.381	0.015		
L	17.2	0.676	-	-	Nom	
M	22.1	0.874	-	-	Min	

Physical Characteristics					Notes:
Temperature Rating	Cross Section A _e (mm ²)	Path Length L _e (mm)	Volume V _e (mm ³)	Weight (g)	
Curie Temp: 500°C	914	215	197,000	520	

Typical DC Bias Performance

