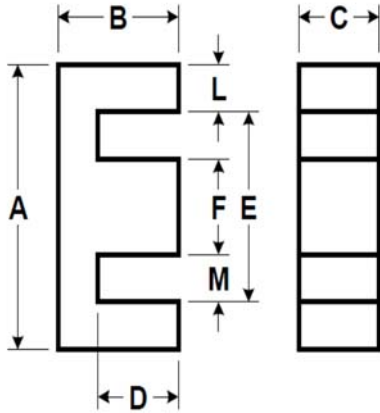




# 00K114LE026

110 Delta Drive  
 Pittsburgh, PA 15238  
 NAFTA Sales: (1)800-245-3984  
 HK Sales : (852)3102-9337  
 magnetics@spang.com  
 www.mag-inc.com



Kool M $\mu$ Permeability ( $\mu$ )	A <sub>L</sub> (nH/T <sup>2</sup> )	Core Marking	
		Lot Number	Part number
26	235 ± 8%	XXXXXX	K114LE026

	Dimensions		Tolerance (±)			Packaging
	(mm)	(in)	(mm)	(in)		
A	114.3	4.500	0.762	0.030		Cardboard cut-outs Box Qty= 18 pc.
B	46.18	1.818	0.381	0.015		
C	34.93	1.375	0.381	0.015		
D	28.60	1.126	-	-	Min	Available Hardware
E	79.50	3.13	-	-	Min	00B114LB1
F	35.10	1.382	0.381	0.015		
L	17.2	0.676	-	-	Nom	
M	22.1	0.874	-	-	Min	

Physical Characteristics					Notes:
Temperature Rating	Cross Section A <sub>e</sub> (mm <sup>2</sup> )	Path Length L <sub>e</sub> (mm)	Volume V <sub>e</sub> (mm <sup>3</sup> )	Weight (g)	
Curie Temp: 500°C	1220	215	262,000	690	

