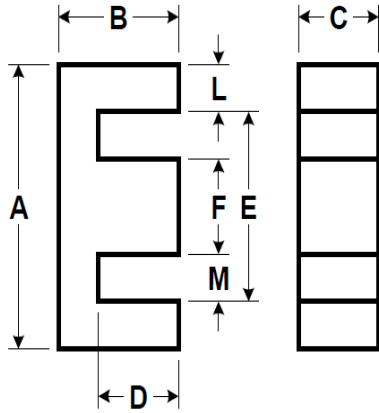




00K114LE014

110 Delta Drive
 Pittsburgh, PA 15238
 NAFTA Sales: (1)800-245-3984
 HK Sales : (852)3102-9337
 magnetics@spang.com
 www.mag-inc.com



Kool M μ Permeability (μ)	A _L (nH/T ²)	Core Marking	
		Lot Number	Part number
14	161 ± 8%	XXXXXX	K114LE014

	Dimensions		Tolerance (±)			Packaging
	(mm)	(in)	(mm)	(in)		
A	114.3	4.500	0.762	0.030		Cardboard cut-outs Box Qty= 18 pc.
B	46.18	1.818	0.381	0.015		
C	34.93	1.375	0.381	0.015		
D	28.60	1.126	-	-	Min	Available Hardware
E	79.50	3.13	-	-	Min	00B114LB1
F	35.10	1.382	0.381	0.015		
L	17.2	0.676	-	-	Nom	
M	22.1	0.874	-	-	Min	

Electrical Characteristics			Physical Characteristics				
Watt Loss @ 50 kHz, 50mT typical (mW/cm ³)	DC Bias typical (Oe)		Window Area W _A (mm ²)	Cross Section A _e (mm ²)	Path Length L _e (mm)	Volume V _e (mm ³)	Weight (Ea. Piece) (g)
	80%	70%					
40	200	270	380	1220	215	262,000	690

Notes:	Temperature Rating
	Curie Temp: 500°C

