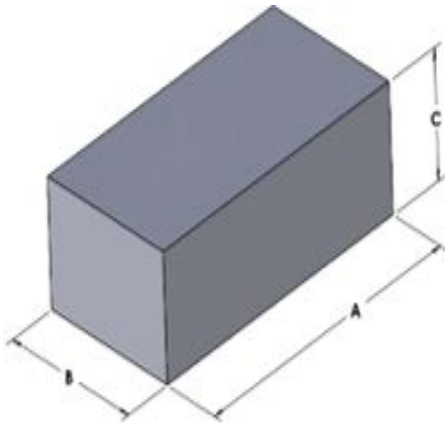




00H5030B060

110 Delta Drive
 Pittsburgh, PA 15238
 NAFTA Sales: (1)800-245-3984
 HK Sales : (852)3102-9337
 magnetics@spang.com
 www.mag-inc.com



High Flux Permeability (μ)	Core Marking	
	Lot Number	Part Number
60	XXXXXX	H5030B060

	Dimensions		Tolerance (\pm)		Packaging
	(mm)	(in)	(mm)	(in)	
A	50.50	1.988	0.50	0.020	Box Qty = 64
B	30.30	1.193	0.30	0.012	
C	15.00	0.591	0.20	0.008	

Physical Characteristics		Temperature Rating		Note
Volume V_e (mm ³)	Est. Weight (g)	Curie Temp:	500 °C	Cosmetic Standard: Magnetics Powder Core shapes criteria for appearance
23,000	150			

