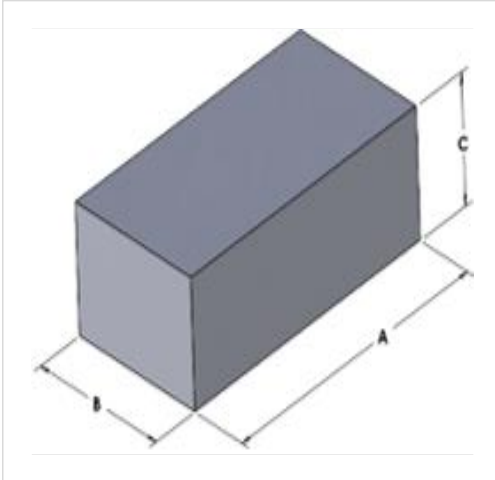




00G8020B040

110 Delta Drive
 Pittsburgh, PA 15238
 NAFTA Sales: (1)800-245-3984
 HK Sales : (852)3102-9337
 magnetics@spang.com
 www.mag-inc.com



Edge Permeability (μ)	Core Marking	
	Lot Number	Part Number
40	XXXXXX	G8020B040

	Dimensions		Tolerance (\pm)			Packaging
	(mm)	(in)	(mm)	(in)		
A	80.50	3.168	0.50	0.020		Cardboard cut-outs Box Qty = TBD
B	20.30	0.799	0.50	0.020		
C	20.00	0.79	0.20	0.008		

Physical Characteristics		Temperature Rating		Note
Volume V_e (mm ³)	Est. Weight (g)	Curie Temp:	500 °C	Cosmetic Standard: Magnetics Edge criteria for appearance
32,683	187.93			

