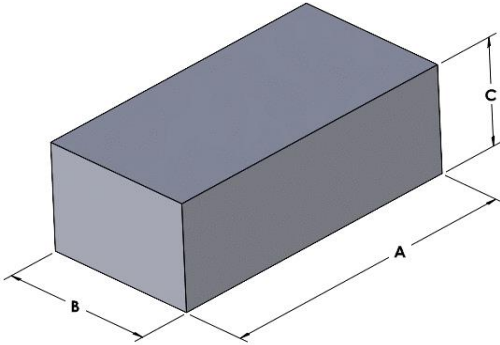




00G5528B040

110 Delta Drive
 Pittsburgh, PA 15238
 NAFTA Sales: (1)800-245-3984
 HK Sales : (852)3102-9337
 magnetics@spang.com
 www.mag-inc.com



| Edge Permeability (μ) | Core Marking | |
|-----------------------------|--------------|-------------|
| | Lot Number | Part Number |
| 40 | XXXXXX | G5528B040 |

| | Dimensions | | Tolerance (\pm) | | Packaging |
|----------|------------|-------|---------------------|-------|-------------------------------------|
| | (mm) | (in) | (mm) | (in) | |
| A | 54.86 | 2.159 | 0.64 | 0.025 | Cardboard cut-outs Box Qty = TBD |
| B | 27.56 | 1.085 | 0.41 | 0.016 | |
| C | 20.62 | 0.811 | 0.38 | 0.015 | |

| Physical Characteristics | | Temperature Rating | Note |
|---------------------------------|-----------------|--------------------|---|
| Volume V_e (mm ³) | Est. Weight (g) | Curie Temp: 700°C | Cosmetic Standard: Magnetics Edge criteria for appearance |
| 31,200 | TBD | | |

