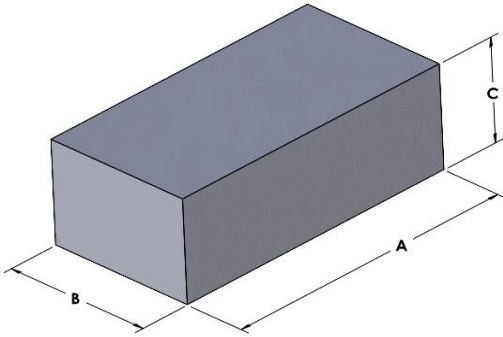




# 00F9541B060

110 Delta Drive  
 Pittsburgh, PA 15238  
 NAFTA Sales: (1)800-245-3984  
 HK Sales : (852)3102-9337  
 magnetics@spang.com  
 www.mag-inc.com



| Kool M $\mu$ Hf<br>Permeability ( $\mu$ ) | Core Marking |             |
|---|--------------|-------------|
|   | Lot Number   | Part Number |
| 60  | XXXXXX       | F9541B060   |

|          | Dimensions |       | Tolerance ( $\pm$ ) |       | Packaging                           |
|----------|------------|-------|---------------------|-------|-------------------------------------|
|          | (mm)       | (in)  | (mm)                | (in)  |                                     |
| <b>A</b> | 95.00      | 3.739 | 0.61                | 0.024 | Cardboard cut-outs<br>Box Qty = TBD |
| <b>B</b> | 41.00      | 1.614 | 0.51                | 0.020 |                                     |
| <b>C</b> | 27.51      | 1.083 | 0.41                | 0.016 |                                     |

| Physical Characteristics                 |                 | Temperature Rating | Note   |
|--|-----------------|--------------------|--|
| Volume V <sub>e</sub> (mm <sup>3</sup> ) | Est. Weight (g) | Curie Temp: 700°C  | Cosmetic Standard: Magnetics Kool M $\mu$ Hf criteria for appearance |
| 107,200                                  | 632             |                    |  |

