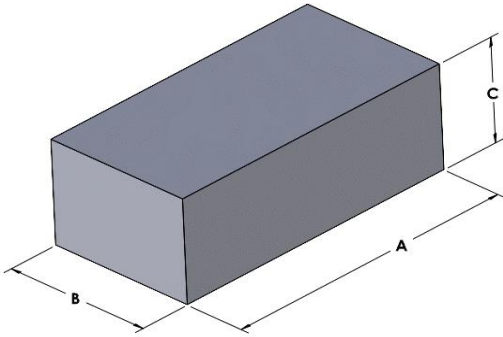




00F5528B060

110 Delta Drive
 Pittsburgh, PA 15238
 NAFTA Sales: (1)800-245-3984
 HK Sales : (852)3102-9337
 magnetics@spang.com
 www.mag-inc.com



Kool M μ Hf Permeability (μ)	Core Marking	
	Lot Number	Part Number
60	XXXXXX	F5528B060

	Dimensions		Tolerance (\pm)		Packaging
	(mm)	(in)	(mm)	(in)	
A	54.86	2.159	0.64	0.025	Cardboard cut-outs Box Qty = TBD
B	27.56	1.085	0.41	0.016	
C	20.62	0.811	0.38	0.015	

Physical Characteristics		Temperature Rating	Note
Volume V _e (mm ³)	Est. Weight (g)	Curie Temp: 700°C	Cosmetic Standard: Magnetism Kool M μ Hf criteria for appearance
31,200	184		

