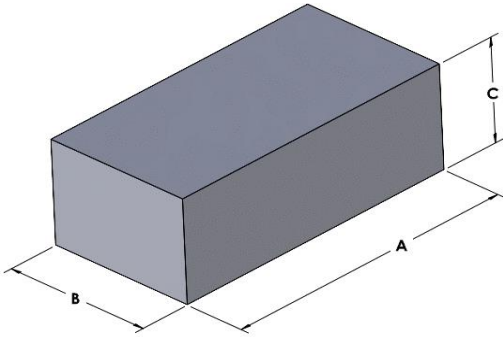




**00F5528B026**

110 Delta Drive  
 Pittsburgh, PA 15238  
 NAFTA Sales: (1)800-245-3984  
 HK Sales : (852)3102-9337  
 magnetics@spang.com  
 www.mag-inc.com



Kool M $\mu$ Hf Permeability ( $\mu$ )	Core Marking	
	Lot Number	Part Number
26	XXXXXX	F5528B026

	Dimensions		Tolerance ( $\pm$ )		Packaging
	(mm)	(in)	(mm)	(in)	
<b>A</b>	54.86	2.159	0.64	0.025	Cardboard cut-outs Box Qty = TBD
<b>B</b>	27.56	1.085	0.41	0.016	
<b>C</b>	20.62	0.811	0.38	0.015	

Physical Characteristics		Temperature Rating	Note
Volume V <sub>e</sub> (mm <sup>3</sup> )	Est. Weight (g)	Curie Temp: 700°C	Cosmetic Standard: Magnetics Kool M $\mu$ Hf criteria for appearance
31,200	178		

