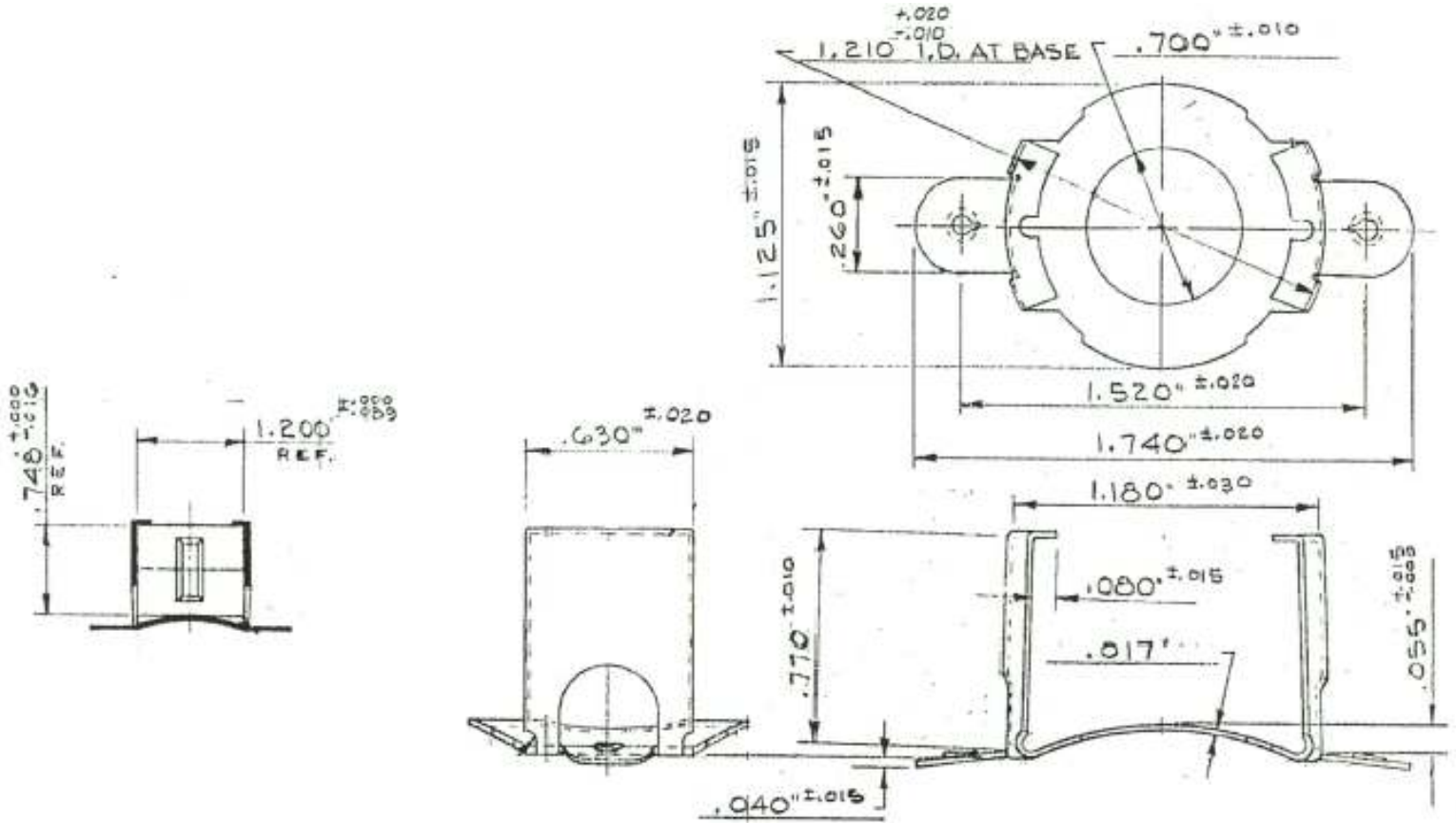




Specification for:  
**00C301917**

110 Delta Drive  
Pittsburgh, PA 15238  
Phone: 412/696-1333  
Fax: 412/696-0333  
Email: magnetics@spang.com



**MATERIAL**

Material: Heat Treated Spring Steel; Tin Electroplated, .0002" Min

**REMARKS**

Revision -