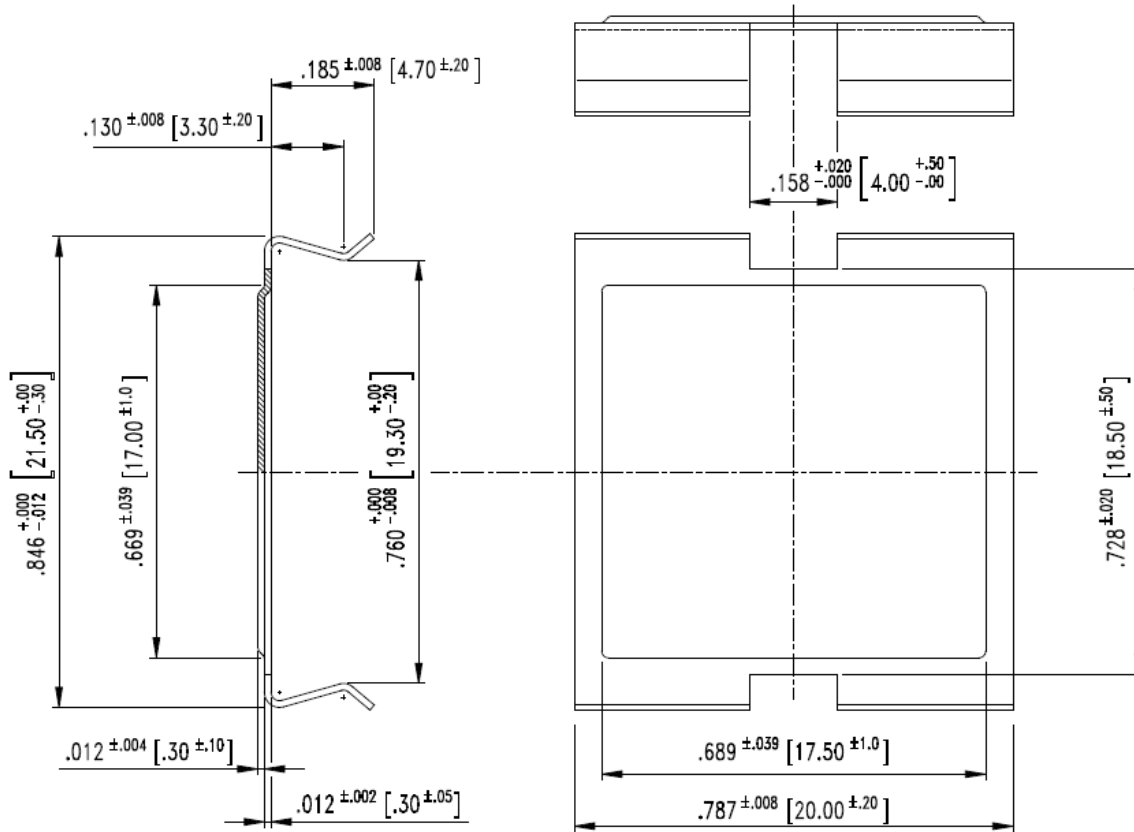




Specification for:  
**00C2019B1**

110 Delta Drive  
Pittsburgh, PA 15238  
Phone: 412/696-1333  
Fax: 412/696-0333  
Email:magnetics@spang.com



### MATERIAL

Material: X12 CrNi 17 7 Steel.

### REMARKS

EFD-20 PC Clamp

Revision A

Revision 10/10/2013