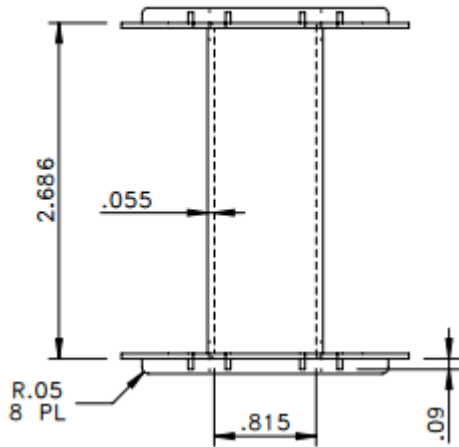
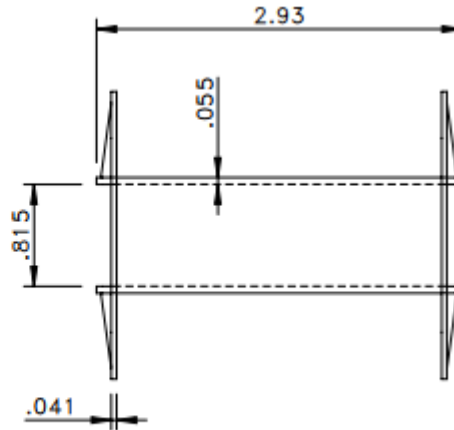
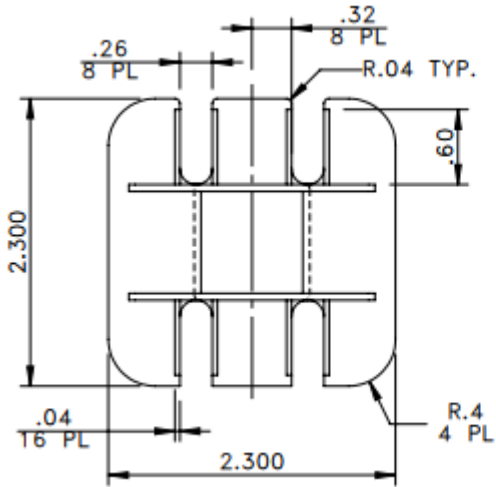




Specification for:
00B804401

110 Delta Drive
Pittsburgh, PA 15238
Phone: 412/696-1333
Fax: 412/696-0333
Email: magnetics@spang.com



UNSPECIFIED TOLERANCES:

.0	± .05
.00	± .03
.000	± .010
ANGLES	± 0.5°

MATERIAL

Material: DuPont Rynite FR530L, Black, UL94-V0 rated

REMARKS

5-16-2024