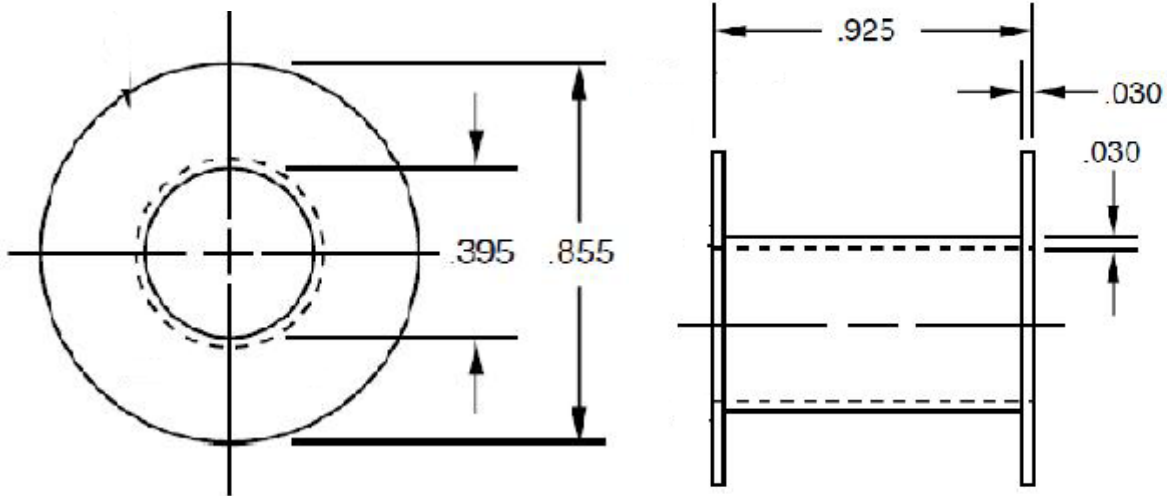




Specification for:
00B3517B1

110 Delta Drive
Pittsburgh, PA 15238
Phone: 412/696-1333
Fax: 412/696-0333
Email:magnetics@spang.com



MATERIAL

Material: Glass-filled Nylon 6/6

REMARKS

Revision -

Revision 4/26/2017