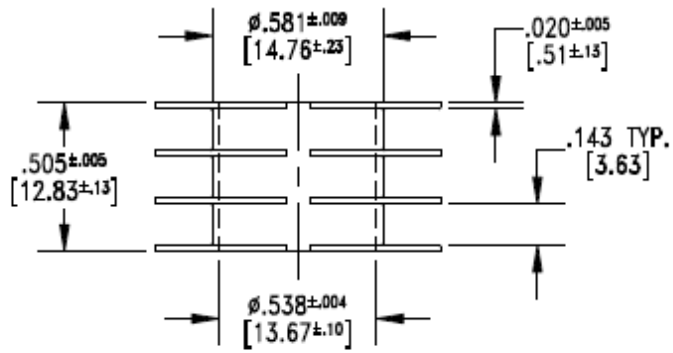
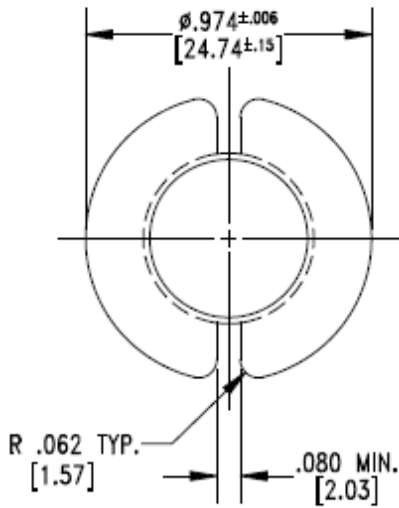




Specification for:  
**00B301903**

110 Delta Drive  
Pittsburgh, PA 15238  
Phone: 412/696-1333  
Fax: 412/696-0333  
Email:magnetics@spang.com



**FRONT VIEW**

**MATERIAL**

Material: Delrin

**REMARKS**

30/19 Bobbin

Revision E