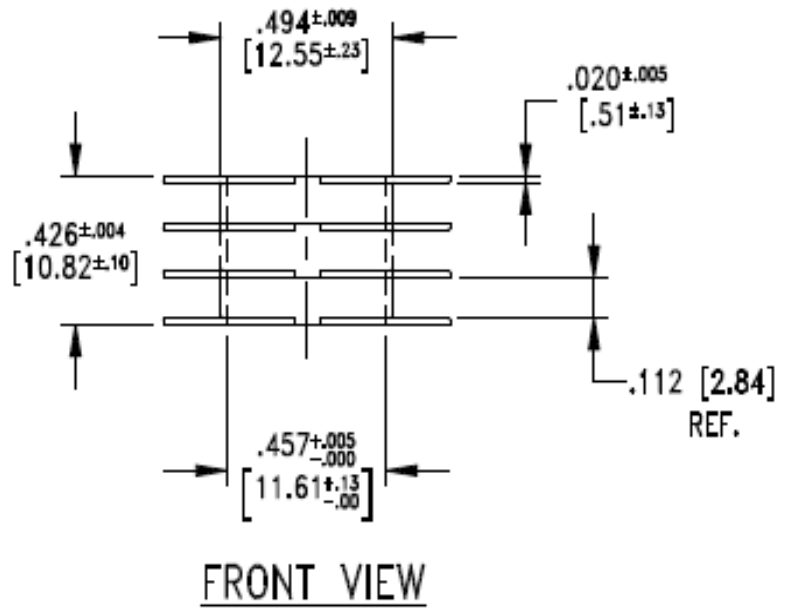
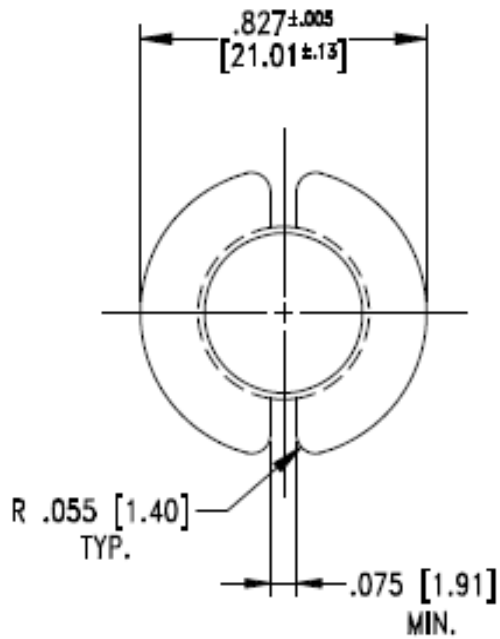




Specification for:
00B261603FR

110 Delta Drive
Pittsburgh, PA 15238
Phone: 412/696-1333
Fax: 412/696-0333
Email:magnetics@spang.com



MATERIAL

Material: Crastin S660FR

REMARKS

26/16 Bobbin

Revision -

Revision 10/10/2013