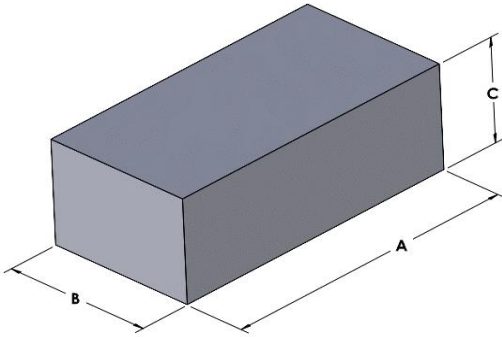




# 00A7020B060

110 Delta Drive  
 Pittsburgh, PA 15238  
 NAFTA Sales: (1)800-245-3984  
 HK Sales : (852)3102-9337  
 magnetics@spang.com  
 www.mag-inc.com



| Kool M $\mu$ Max A<br>Permeability ( $\mu$ ) | Core Marking |             |
|--|--------------|-------------|
|  | Lot Number   | Part Number |
| 60   | XXXXXX       | A7020B060   |

|          | Dimensions |       | Tolerance ( $\pm$ ) |       |  | Packaging                           |
|----------|------------|-------|---------------------|-------|--|-------------------------------------|
|          | (mm)       | (in)  | (mm)                | (in)  |  |                                     |
| <b>A</b> | 70.50      | 2.774 | 0.50                | 0.020 |  | Cardboard cut-outs<br>Box Qty = TBD |
| <b>B</b> | 20.30      | 0.799 | 0.30                | 0.012 |  |                                     |
| <b>C</b> | 20.00      | 0.787 | 0.20                | 0.008 |  |                                     |

| Physical Characteristics                 |                 | Temperature Rating | Note  |
|--|-----------------|--------------------|---|
| Volume V <sub>e</sub> (mm <sup>3</sup> ) | Est. Weight (g) | Curie Temp: 700°C  | Cosmetic Standard: Magnetics Kool M $\mu$ Max A criteria for appearance |
| 28,600                                   | 172             |                    |   |

