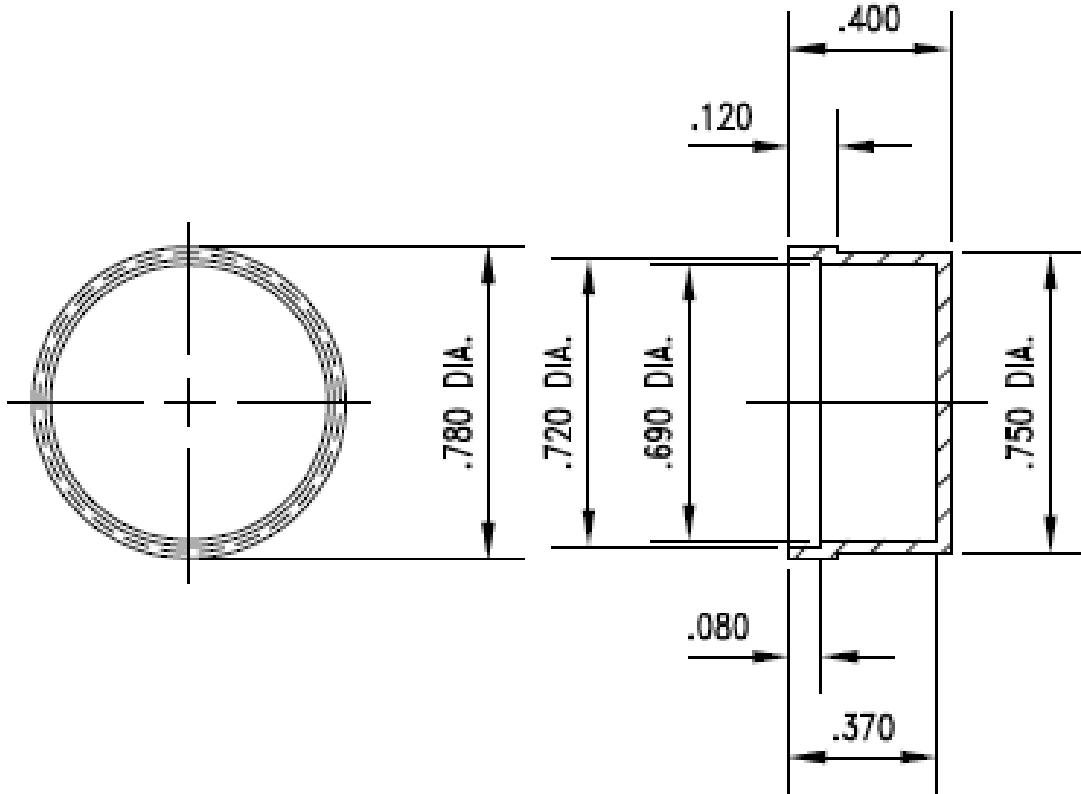




Specification for:
SH1408OA

110 Delta Drive
Pittsburgh, PA 15238
Phone: 412/696-1333
Fax: 412/696-0333
Email:magnetics@spang.com



MATERIAL

Material: 6/6 Nylon 30% Glass Filled; 94V-0 Rated

REMARKS

Revision -

Revision 10/10/2013